

MT610X

X86 CPU Core Touch Panel Computer with 10.4" VGA TFT display



【 Introduction 】

The MT610X is a miniature and compact platform that has excellent system performance and function. The x86 CPU Core provides the maximum compatibility with the vast amount of Internet content available while the intelligent integration of several other functions, including graphics, makes the AMD Geode™ LX processor a true system level multimedia solution.

◆ Specifications

- **Construction:** plastic molding housing
- **Display:** 10.4" 640x480 65536 color VGA TFT LCD
- **CPU and core logic:** AMD Geode™ LX800/500MHz core processor
- **DRAM:** 256MB on board DDR-400MHz SDRAM
- **Storage:** 44-pin IDE interface.DOM
- **I/O:** 3 serial ports:Com1: RS-232/RS-485 2w/4w,
Com2: RS-232, Com3: RS-232/RS-485 2w
1 Ethernet port (10/100Base-T)
2 USB 2.0 full-speed host (12Mbps)
SD CARD SLOT
PS/2 Port Connector
- **Sound output:** AC'97 Stereo output
- **RTC:** Built-in
- **Power input:** 24 V_{DC}, 1.25A 30W maximum
- **Dimension (W x H x D):**286x212x50mm
- **Weight:** Approx. 1.6kg

◆ Touchscreen

- **Type:** 4-wire, analog resistive
- **Resolution:** continuous
- **Touch Accuracy:** ±3.5%
- **Light transmission:** above 80%
- **Life:** 1 million activation minimum

◆ Features

- 10.4" VGA TFT LCD
- AMD Geode™ LX800/500MHz core processor speed
- Fan-less cooling system
- Disk on module and Windows CE or XPE OS inside
- NEMA4/IP65 compliant front panel
- On-board 256MB DDR-400MHz SDRAM
- 44-pin IDE interface
- High performance 2D accelerator graphic controller, supporting 8~64MB shared display memory

◆ LCD Display

Display type	TFT LCD
Display size (diagonal)	10.4"
Max colors	65536
Resolution	640 x 480
Viewing angle (°)	40/50/60/60 (T/B/R/L)
Luminance (cd/m ²)	400
Storage temperature (°C)	-20~60
Operating temperature (°C)	0~45
Backlight	CCFL x 2
Backlight life time (avg.)	40,000 hrs.
Contrast ratio	300:1

◆ Environmental Specifications

- **Operating temperature:** 0° ~ 45°C (32° ~ 113°F)
- **Relative humidity:** 10% ~ 90% @ 40°C, non-condensing
- **Shock (operation):** 10 to 25Hz(X,Y,Z direction 2G 30minutes)
- **EMI:** Complies with FCC class A
- **CE:** Complies with EN50081-2 and EN50082-2 standards
- **Front panel meets NEMA4 / IP65**

◆ Ordering information

□ MT610X:

10.4" VGA TFT LCD display touch panel computer with AMD Geode™ LX800/500MHz core processor.

□ XPE-1G XPE license + 1G DOM

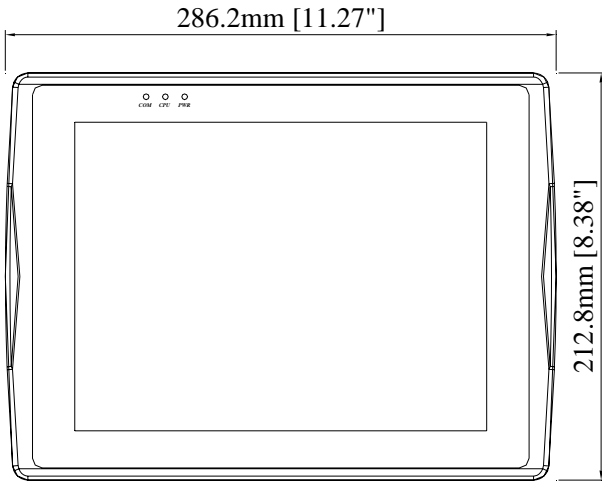
1GB Disk On Module and Windows Embedded XP OS inside.

□ CE-256M CE license + 256M DOM

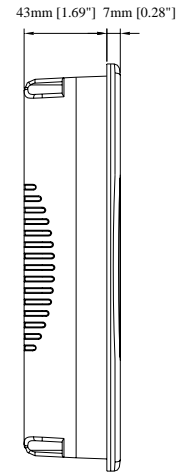
256MB Disk On Module and Windows CE 5.0 OS inside.

MT610X

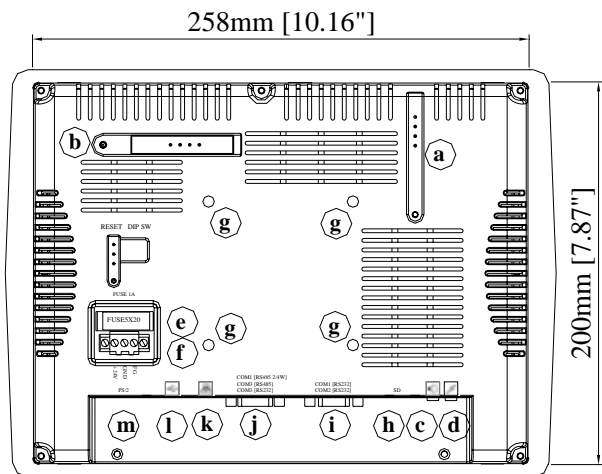
◆ Dimensions Drawing



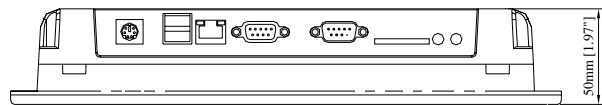
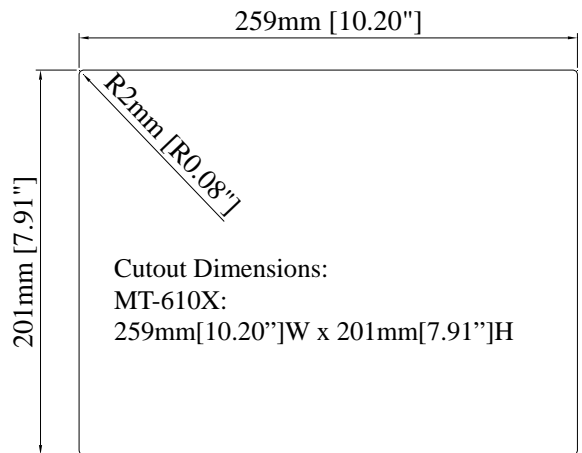
Front View



Side View



Rear View



Bottom View

A	N/A	H	SD CARD SLOT
B	IDE Interface (DOM Slot)	I	Com1 RS232, Com2 RS232
C	Line Out	J	Com1 RS485, Com3 RS485, Com3 RS232
D	Mic In	K	Ethernet Port 10/100 Base-T
E	Fuse Reset Button	L	USB Host Port x 2
F	Power Connector	M	PS/2 Port Connector
G	VESA 75mm Screw Holes		